

### **BG mounting - adjustable type**

- ◆ Pneumatically operated mounting for installation in domelights etc.
- ◆ Opening angle 140° or 165°. For special opening angles, please inquire
- ◆ Opening mounting is factory adjustable to suit any domelight or continuous roof light (from approx. 780mm to 2.500mm inner width of curb or frame / continuous roof light opening)
- ◆ Due to cross beam design, only small forces are introduced into the curb and domelight frame
- ◆ Space-saving due to flat design
- ◆ Ease of assembly by hanging the mounting from above into the curb or frame
- ◆ Preassembled and adapted to specific building conditions.
- ◆ Available in six sizes with different pneumatic cylinders Type **P** (for selection of size, see drawing/table on page 2)
- ◆ As cylinder locks automatically in open position, unintentional closing is not possible
- ◆ Available in the versions "OPEN-CLOSE" and "OPEN only" ("OPEN only": SHEU has to be unlatched and closed by hand)
- ◆ Domelight locked in closed position by mechanical hook locking device **MHV** and adjustable locking bolt **EVB 3-M12** or extension set for ventilation **Set-L3** (accessories, see next page)
- ◆ Upper cross beams including preassembled hook locking device **MHV** (see upper cross beams)
- ◆ Standard connection for 6mm pipe
- ◆ Can be provided with additional electric or pneumatic ventilation function
- ◆ When ordering, please complete the dimensional sheet, specifying inner width and hinge dimensions



### **Accessories:**

#### ◆ **Accessories for mountings without ventilation function:**

**Upper cross beams:** Upper cross beams including preassembled hook locking device MHV (see upper cross beams).

**EVB 3-M12:** Adjustable locking bolt

#### ◆ **Accessories for equipping mountings with ventilation function:**

**Upper cross beams:** Upper cross beams including preassembled hook locking device MHV (see upper cross beams).

#### **Electrically operated ventilation with rack actuator:**

**Set-L3-M8 / ST 12-1/8:** Screw M8 with cross pin dia. 12mm, including 2 fixing plugs ST 12-1/8" for actuators Type E

**Rack actuator Type E:** 500 / 250N (push / pull force), (see Electric Parts Catalogue -> actuators)

**E-300-230:** 300mm stroke, 230V~ / 0,1A

**E-500-230:** 500mm stroke, 230V~ / 0,1A

#### **Pneumatically operated ventilation with cylinder Type PODV:**

**Set-L3-M8:** Screw M8 with cross pin dia. 12mm

**Cylinder** with 32 or 40mm piston rod diameter, including swivel screw fitting (see cylinder),

**PODV 32/12-300-12/6L:** 300mm stroke

**PODV 32/12-500-12/6L:** 500mm stroke

**PODV 40/12-300-12/6:** 300mm stroke

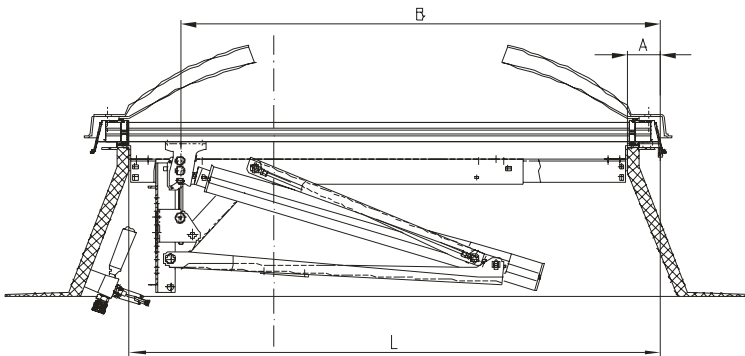
**PODV 40/12-500-12/6:** 500mm stroke

**For special types please inquire**

# SHE mountings PneumatICAL BG mountings

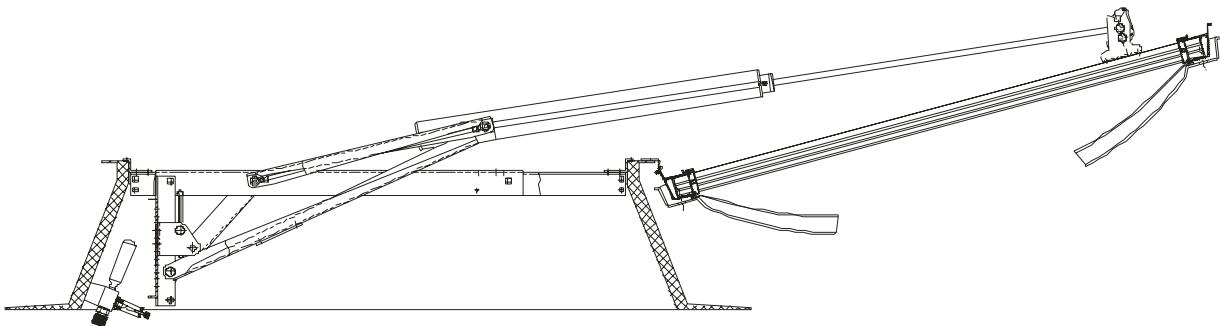
## BG mounting - adjustable type

without ventilation



Type	Lmin. - Lmax.	Size A	Size B
BG1. 12	843 - 1042	50 - 200	765
BG2. 12	1043 - 1342	50 - 200	965
BG3. 12	1343 - 1642	50 - 250	1250
BG4. 12	1643 - 1992	50 - 250	1550
BG5. 12	1993 - 2342	50 - 250	1900
BG6. 12	2343 - 2695	50 - 250	2250

(Size L = inner width + size of hinge A)



with ventilation

electrical

pneumatICAL

