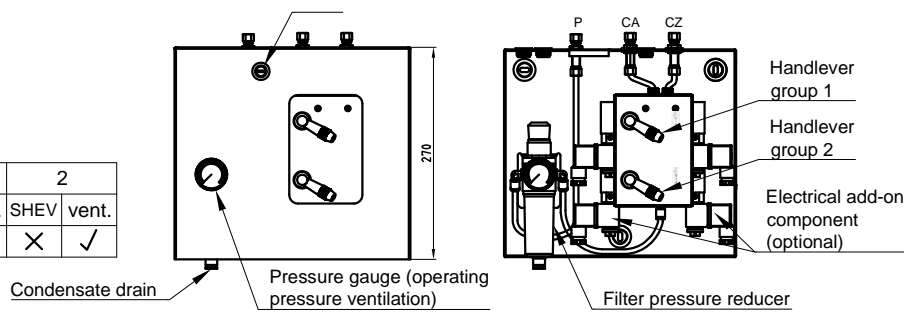


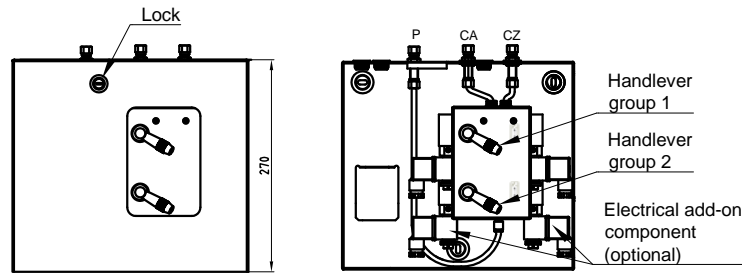
Standard type,
externally operated,
with filter pressure reducer

group	1		2	
function	SHEV	vent.	SHEV	vent.
PLZ 10.0.2	X	✓	X	✓



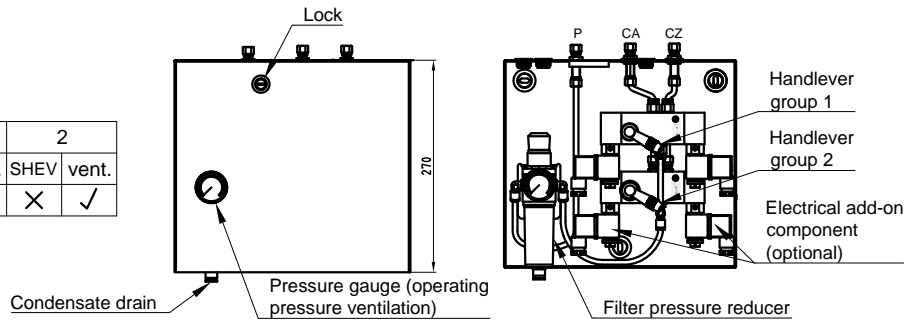
Externally operated type
without filter pressure reducer

group	1		2	
function	SHEV	vent.	SHEV	vent.
PLZ 10.0.2-OFR	X	✓	X	✓



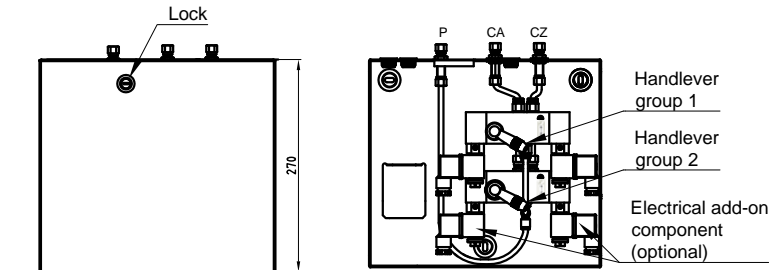
Internally operated type
with filter pressure reducer

group	1		2	
function	SHEV	vent.	SHEV	vent.
PLZ 11.0.2	X	✓	X	✓

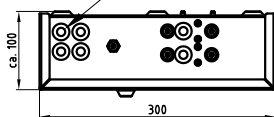


Internally operated type
without filter pressure reducer

group	1		2	
function	SHEV	vent.	SHEV	vent.
PLZ 11.0.2-OFR	X	✓	X	✓



Cable or hose pass-through arrangement for EA/EZ, PA/PZ



Diese Zeichnung ist Eigentum der
Fa. Grasl GmbH A-3454 Reidling, EuropastraÙ 1
Die Weiterverwendung oder Vervielfältigung ohne unser schriftliches Einverständnis ist verboten!

Installation:

For installation, be sure condensate drain shows downward.

Connections:

Pcompressed air available at the assembly site
CAcylinder OPEN
CZ cylinder CLOSE

Description of function:

Ventilation is ensured by use of the hand lever.
With add-on components for OPEN and/ or CLOSE is also an electrical or pneumatic remote control possible (see options).

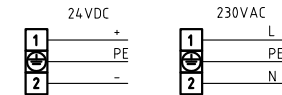
Technical data:

max. operating pressure	10 bar
ambient temperature range	-25°C - +50°C
pipe connections	Ø6/4

Options:

- EZ230 Electrical CLOSE 230V
- EZ24 Electrical CLOSE 24VDC
- EZS230 Electrical CLOSE 230V (deenergized)
- EZS24 Electrical CLOSE 24VDC (deenergized)
- EZV230 Electrical PRIORITY CLOSE 230V
- EZV24 Electrical PRIORITY CLOSE 24VDC
- EA230 Electrical OPEN 230V
- EA24 Electrical OPEN 24VDC
- EAV230 Electrical PRIORITY OPEN 230V
- EAV24 Electrical PRIORITY OPEN 24VDC
- PA Pneumatic OPEN
- PZ Pneumatic CLOSE
- PAV Pneumatic PRIORITY OPEN
- PZV Pneumatic PRIORITY CLOSE
- Ø8 All pipe connections for Ø8mm
- OFR Without filter pressure reducer

Circuit diagram solenoid:



Power input - attracting -DC	-
Power input - attracting -AC	9VA
Power input - holding - DC	5W
Power input - holding - AC	6VA

Ordering code:

PLZ xx.x.x - Optionen

Ordering example:

PLZ 10.0.2 - EA230 - EZ230

GRASL Pneumatic-Mechanik GmbH A-3454 Reidling EuropastraÙe 1		FreimaÙtoleranz nach DIN 7168:	MaÙstab: 1:1		Werkstoff:
			ID - Nr.:		
		Datum	Name		
		Bear.	17.03.2009	GöschlS	
		Gepr.	27.01.2010	ER	
		Norm			
		Type:	PLZ		
		Zeichnung Nr.:		Blatt	
		06.002.DAT.03.01-E		BL.	
01	Diverse Änderungen	23.12.2009	SA		
Zus.	Änderung	Datum	Name	(Urspr.)	(Ers.f.) 06.002.DAT.03.00
					(Ers.d.)

Data sheet
Pneumatic ventilation control centre
PLZ 1x.0.2-options